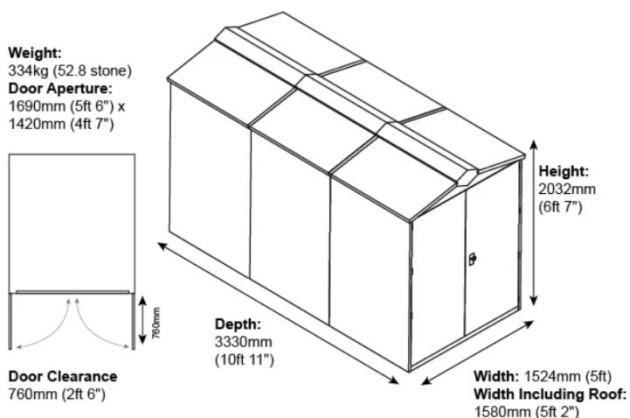


SafeStore Clydesdale Plus Secure Storage Unit

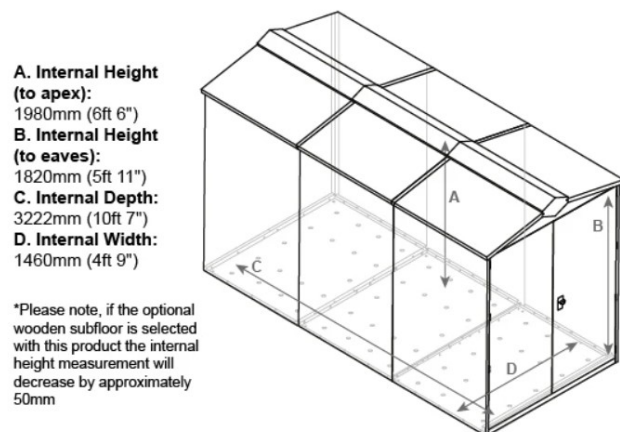
- * Size: 1524mm (5ft) wide x 3330mm (10ft 11in) deep
- * Colours available: Green, Dark Grey or Ivory
- * Accessories available: timber floor kit, shelf, hooks, tool rail, universal ramp, single and double bike stands, heavy duty ladder and tool rack, adjustable hanging bike rack, LED sensor lights (240mm or 600mm)



External Dimensions



Internal Dimensions



- * 10 year warranty
- * 2 Keys and 5 point locking system
- * Made from thick galvanised steel
- * 334kg in weight (52.8 stone)
- * Reinforced hinges, panels, doors and handle lock system
- * Welded hinges
- * Designed and made in the UK